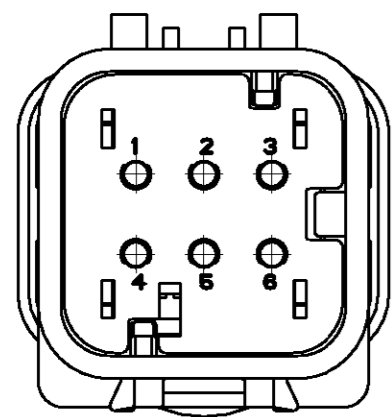
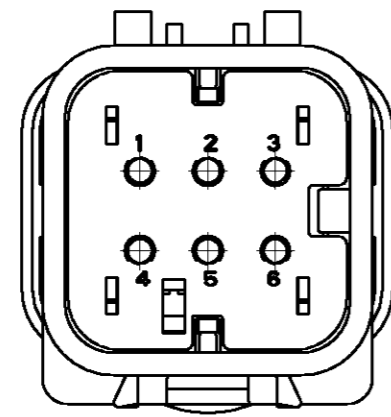


THIS DRAWING IS UNPUBLISHED. RELEASED FOR PUBLICATION  
 © COPYRIGHT 20 BY TYCO ELECTRONICS CORPORATION. ALL RIGHTS RESERVED.

LOC	DIST	REVISIONS					
GE	00	P	LTR	DESCRIPTION	DATE	DWN	APVD
		A		REC PER EC OK40-0134-04	28APR2004	WH	JP
		B		REV PER EC OK40-0340-04	22SEP2004	WH	JP
		C		REV PER ECR-05-000278	22FEB2005	WH	RS

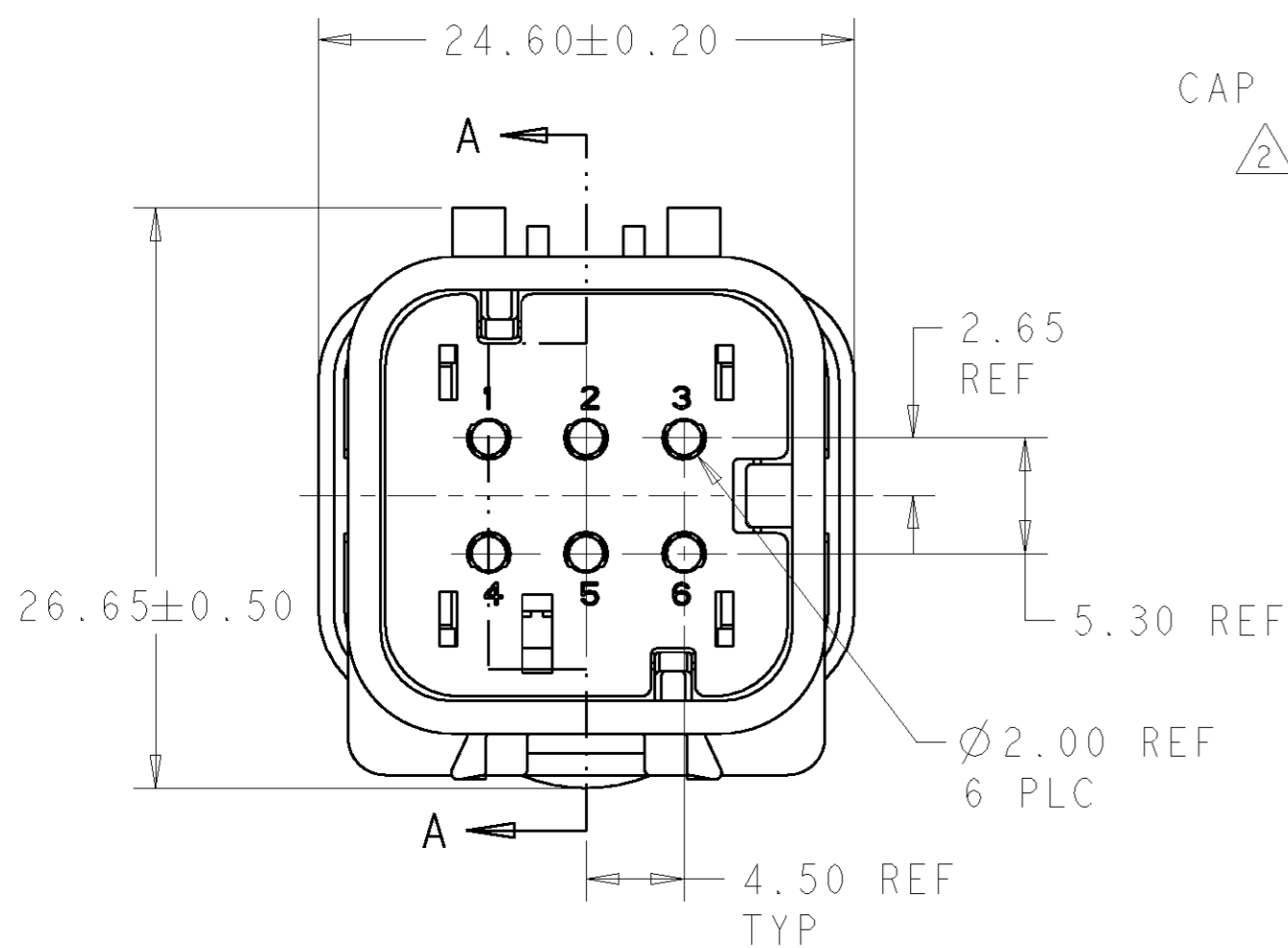


776434-2  
SCALE 2:1

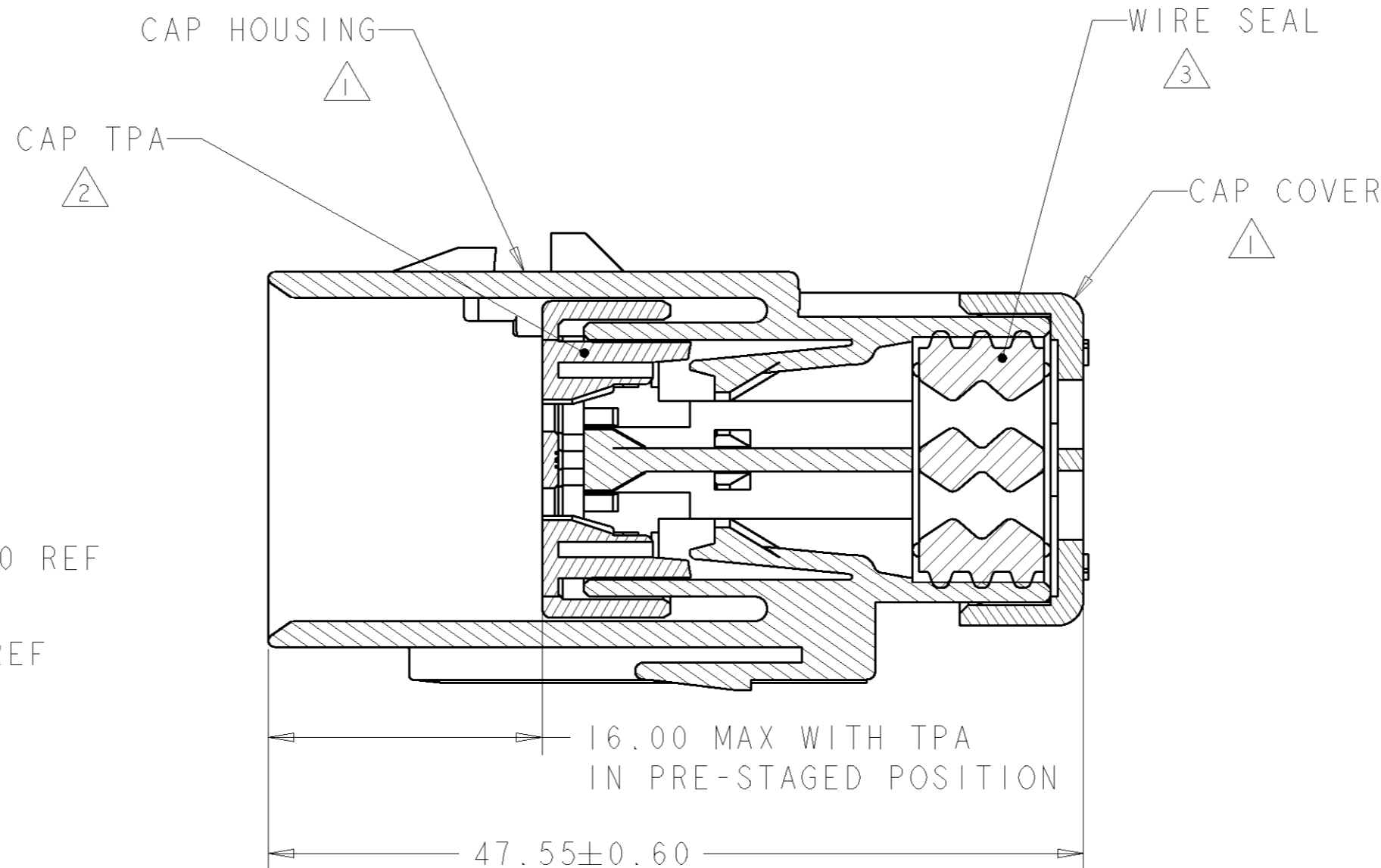


776434-3  
SCALE 2:1

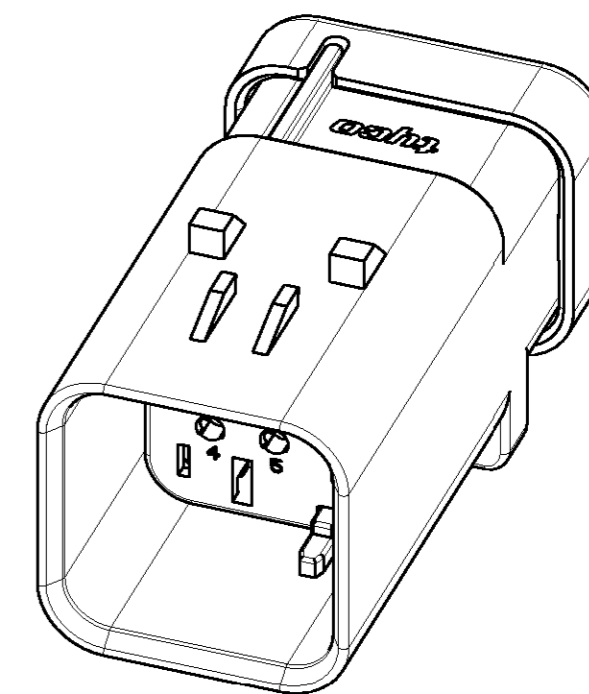
- ① MATERIAL: 15% GLASS FILLED THERMOPLASTIC  
COLOR: BLACK
- ② MATERIAL: 15% GLASS FILLED THERMOPLASTIC  
COLOR: (SEE TABLE)
- ③ MATERIAL: SILICONE  
COLOR: RED



776434-1 SHOWN



SECTION A-A



SCALE 2:1

YELLOW	776434-3
GRAY	776434-2
RED	776434-1
TPA COLOR	PART NUMBER

THIS AMP PROPRIETARY INFORMATION IS CONFIDENTIAL AND IS DISCLOSED TO YOU ON CONDITION THAT NO FURTHER DISCLOSURE IS MADE BY YOU TO ANYONE OTHER THAN AMP PERSONNEL WITHOUT WRITTEN AUTHORIZATION FROM AMP INCORPORATED, HARRISBURG, PA.

THIS DRAWING IS A CONTROLLED DOCUMENT FOR TYCO ELECTRONICS CORPORATION IT IS SUBJECT TO CHANGE AND THE CONTROLLING ENGINEERING ORGANIZATION SHOULD BE CONTACTED FOR THE LATEST REVISION.		DWN A.J. GRAFF 13JUN00 CHK R. GREINER 03JAN02 APVD M. TRULLI 03JAN02	<b>tyco</b> <b>Electronics</b>	AMP Incorporated Harrisburg, PA 17105-3608
DIMENSIONS: mm	TOLERANCES UNLESS OTHERWISE SPECIFIED: 0 PLC ± 1 PLC ± 2 PLC ± 3 PLC ± 4 PLC ± ANGLES ± FINISH	PRODUCT SPEC - APPLICATION SPEC 114-13065 WEIGHT -	NAME CAP ASSEMBLY, 6 POSITION, DUAL ROW, AMPSEAL 16	
MATERIAL -		CUSTOMER DRAWING	SIZE A2	CAGE CODE 00779
DRAWING NO 776434			RESTRICTED TO -	SCALE 2:1 SHEET 1 OF 1 REV C